

Development Workshop

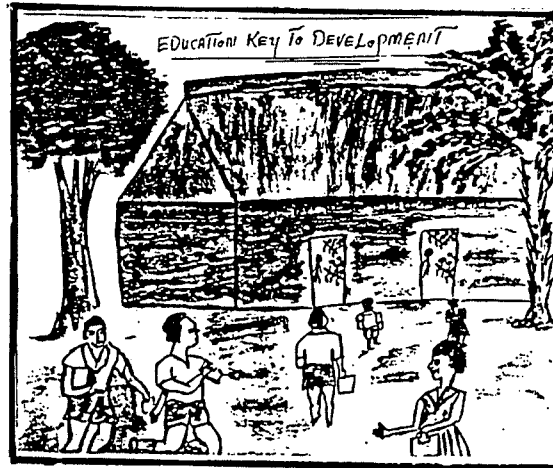
Box 133
238 Davenport Road
Toronto, Ontario
Canada M5R 1J6

project

TRAINING PROGRAMME. SOUTHERN SUDAN
BUILDING & COMMUNITY DEVELOPMENT

client

Euro Action Acord/ Min.Housing, JUBA.



DRAWINGS BY TRAINEES: COMMUNITY DEVELOPMENT & PARTICIPATION.

Six week training programme for 18
sudanese students.

Planning and design of community building
Costing, quantities and accounts.
Construction detailing. Use of local
materials and building techniques.
Management of labour and building site.
Community participation and decision
making.

Trining was part theoretical, followed
by practical work in Munuki community,
leading to the following projects.
Construction of a self help primary
school; laying out and development of
roads in the neighbourhood; training for
shallow well maintenance with Oxfam.

Funding came from Euro Action Acord,
and participants fees from Oxfam, VSO,
Norwegian Church Aid, Southern Sudan
Refugee Relief Programme, UNICEF & USAID.

Development Workshop

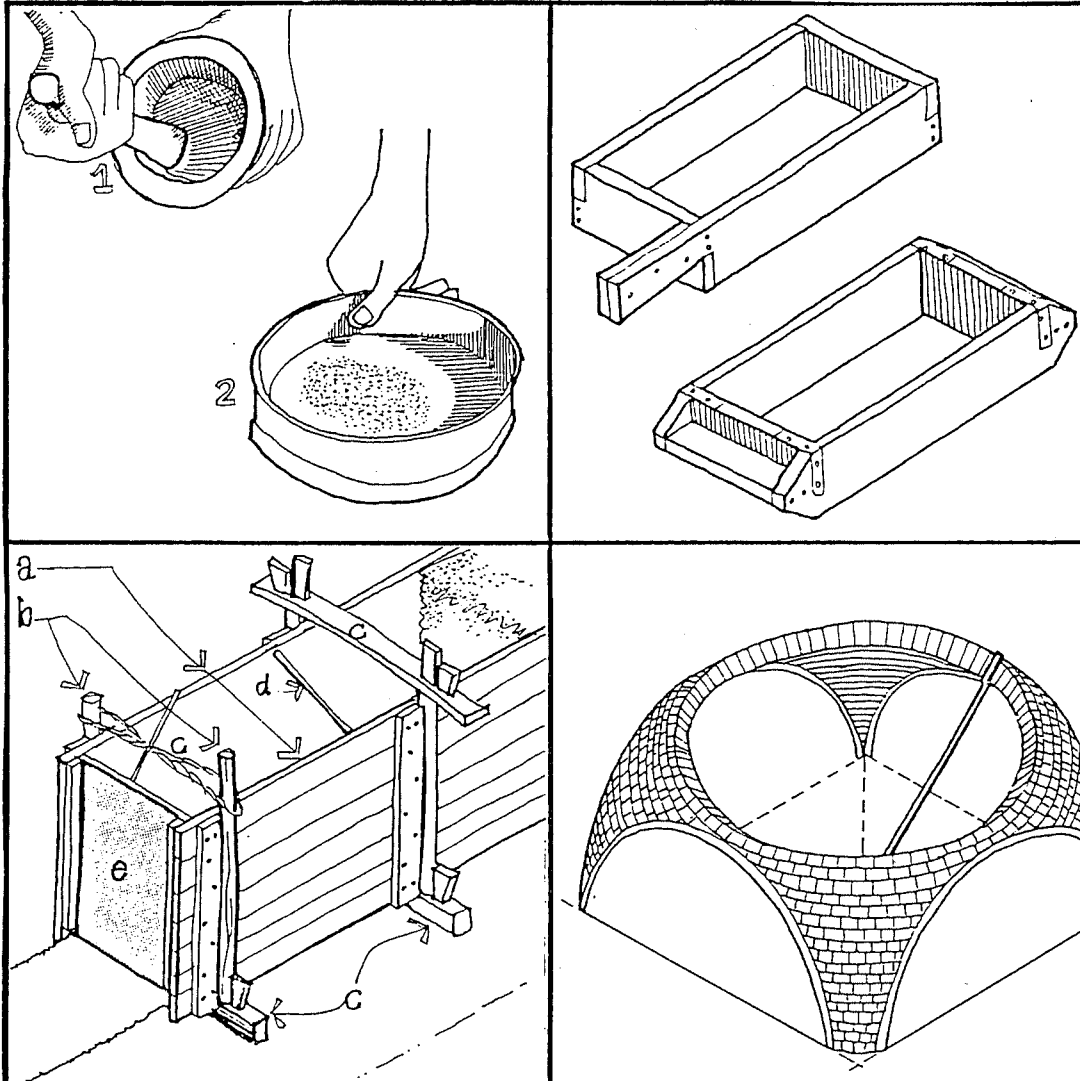
Box 133
238 Davenport Road
Toronto, Ontario
Canada M5R 1J6

project

"BUILDING WITH EARTH. A HANDBOOK."

client

Intermediate Technology Development
Group, London, UK.



A 72-page illustrated handbook on building with earth was commissioned by ITDG in 1986.

The handbook provides detailed practical information, including for use in the field, on -

- * soil analysis
- * performance and performance testing
- * wall construction
- * roofs, foundations and floors
- * renders

as well as an appreciation of more wide-ranging considerations relevant to the use of earth as a building material.

it